

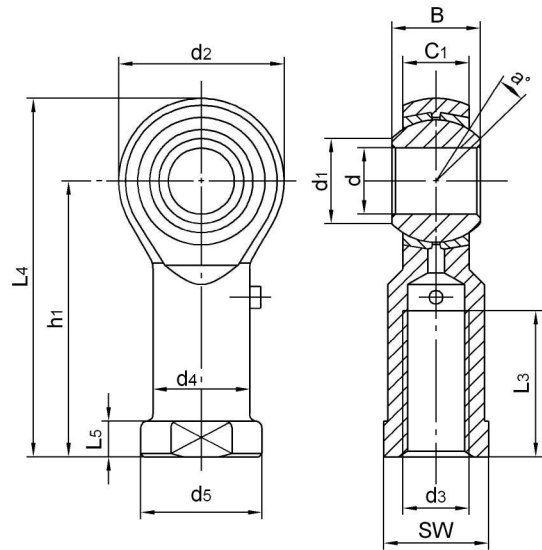
PHS..

Ball: Gcr15 Steel, heat treated, HRC58~64;
Precision ground, polished

Body: Carbon steel, Zinc plated,chromate treated

Race: Brass

Sliding contact surfaces: Steel/Brass



Bearing No.	Dimensions(mm)													Ball dia	a° mis. angle	Load ratings (KN)		weight ≈ Kg
	d _{H7}	B	C ₁	d ₁	d ₂	d ₃ -6H	h ₁	L ₃	(L ₄)	L ₅	d ₄	d ₅	SW			Dynamic	Static	
PHS3	3	6	4.5	5.1	12	M3	21	10	27	3	7	9	7	7.93	14	1.8	4.5	0.006
PHS4	4	7	5.25	6.5	14	M4	24	12	31	4	7.8	9.5	8	9.52	13	2.2	5.6	0.013
PHS5	5	8	6	7.7	16	M5	27	11	35	4	9	11	9	11.11	13	2.5	6.6	0.016
PHS6	6	9	6.75	8.9	18	M6	30	13	39	5	10	13	11	12.7	13	3.2	8.1	0.025
PHS8	8	12	9	10.3	22	M8	36	16	47	5	12.5	16	14	15.87	14	5.4	12.6	0.043
PHS10	10	14	10.5	12.9	26	M10	43	20	56	6.5	15	19	17	19.05	13	7.5	16.6	0.072
PHS10F1						M10x1.25												
PHS12	12	16	12	15.4	30	M12	50	23	65	6.5	17.5	22	19	22.22	13	10	22	0.107
PHS12/F2						M12x1.25												
PHS14	14	19	13.5	16.8	34	M14	57	27	74	8	20	25	22	25.4	16	13	27.8	0.160
PHS14F1						M14x1.5												
PHS15	15	20	14	18.1	36	M14	61	30	79	8	21	26	22	26.98	16	14.5	29	0.186
PHS16	16	21	15	19.3	38	M16	64	32	83	8	22	27	22	28.58	15	16	34.5	0.210
PHS16F1						M16x1.5												
PHS17	17	22	16	20.6	40	M16x1.5	67	34	87	10	24	31	27	30.16	14	18	36	0.259
PHS18	18	23	16.5	21.8	42	M18x1.5	71	35	92	10	25	31	27	31.75	15	19.5	40.8	0.295
PHS20	20	25	18	24.3	46	M20x1.5	77	39	100	10	27.5	34	30	34.92	14	23	46.5	0.380
PHS22	22	28	20	25.8	50	M22x1.5	84	42	109	12	30	37	32	38.1	15	29	52.6	0.490
PHS25	25	31	22	29.5	60	M24x2	94	48	124	12	33.5	42	36	42.86	15	40.5	74.1	0.750
PHS28	28	35	24	32.29	66	M27x2	103	53	136	12	37	46	41	47.63	15	46.1	88.7	0.950
PHS30	30	37	25	34.8	70	M30x2	110	56	145	15	40	50	41	50.8	17	54.3	94.0	1.130

L, PHSL

"

", (812) 333-00-90, info@prombearing.ru
www.prombearing.ru

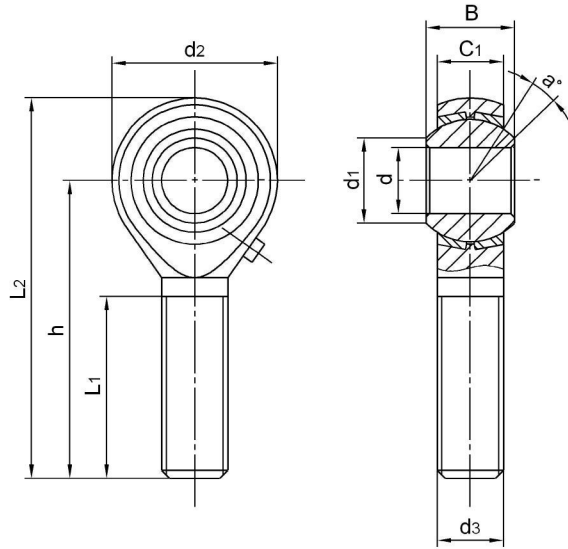
POS..

Ball: Gcr15 Steel, heat treated, HRC58~64;
Precision ground, polished

Body: Carbon steel, Zinc plated, chromate treated

Race: Brass

Sliding contact surfaces: Steel/Brass



Bearing No.	Dimensions(mm)									Ball dia	a° mis. angle	Load ratings (KN)		weight ≈ Kg
	d _{H7}	B	C ₁	d ₁	d ₂	d ₃ -6g	h	L ₁	L ₂			Dynamic	Static	
POS3	3	6	4.5	5.1	12	M3	26	15	32	7.93	14	1.5	1.8	0.006
POS4	4	7	5.25	6.5	14	M4	30	19	37	9.52	13	2.0	2.9	0.011
POS5	5	8	6	7.7	16	M5	33	20	41	11.11	13	2.5	3.5	0.012
POS6	6	9	6.75	8.9	18	M6	36	22	45	12.7	13	3.2	4.8	0.019
POS8	8	12	9	10.3	22	M8	42	25	53	15.87	14	5.4	8.9	0.032
POS10	10	14	10.5	12.9	26	M10	48	29	61	19.05	13	7.5	12.5	0.054
POS10F1						M10x1.25								
POS12	12	16	12	15.4	30	M12	54	33	69	22.22	13	10	15.8	0.085
POS12/F2						M12x1.25								
POS14	14	19	13.5	16.8	34	M14	60	36	77	25.4	16	13	22.1	0.126
POS14F1						M14x1.5								
POS15	15	20	14	18.1	36	M14	63	38	81	26.98	16	14.5	23.6	0.186
POS16	16	21	15	19.3	38	M16	66	40	85	28.58	15	16	25.9	0.185
POS16F1						M16x1.5								
POS17	17	22	16	20.6	40	M16x1.5	69	42	89	30.16	14	18	28.4	0.259
POS18	18	23	16.5	21.8	42	M18x1.5	72	44	93	31.75	15	19.5	30.8	0.260
POS20	20	25	18	24.3	46	M20x1.5	78	47	101	34.92	14	23	36.2	0.340
POS22	22	28	20	25.8	50	M22x1.5	84	51	109	38.1	15	29	42.6	0.435
POS25	25	31	22	29.5	60	M24x2	94	57	124	42.86	15	40.5	74.1	0.650
POS28	28	35	24	32.29	66	M27x2	103	62	136	47.63	15	46.1	88.7	0.875
POS30	30	37	25	34.8	70	M30x2	110	66	145	50.8	17	54.3	94.0	1.070

, L, POSL

"

", (812) 333-00-90, info@prombearing.ru
www.prombearing.ru