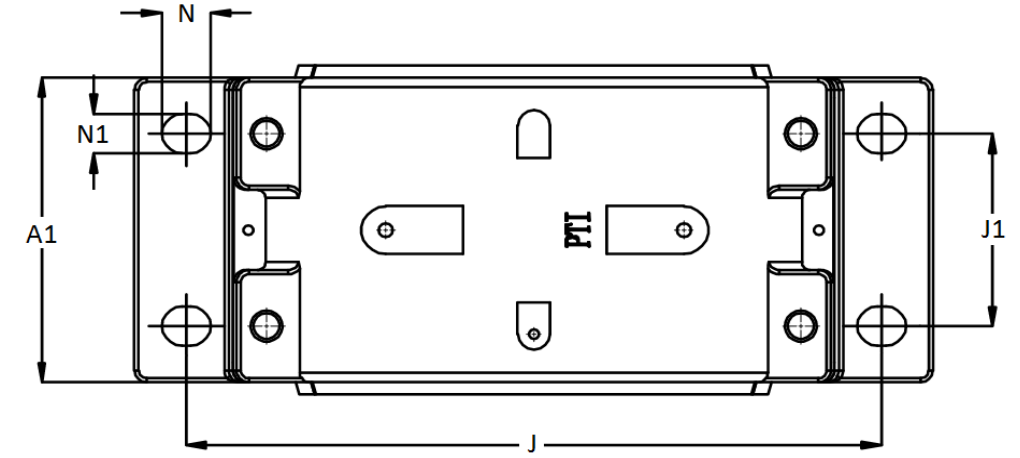
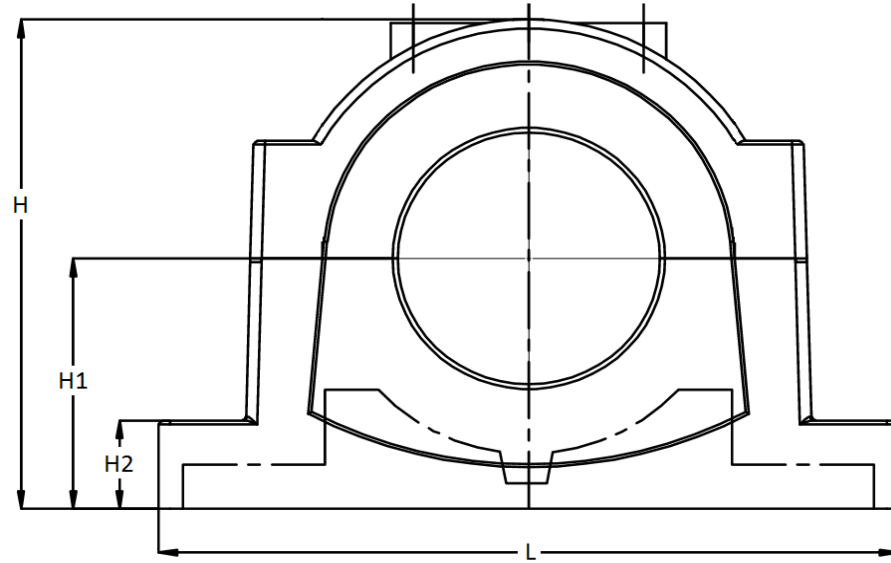
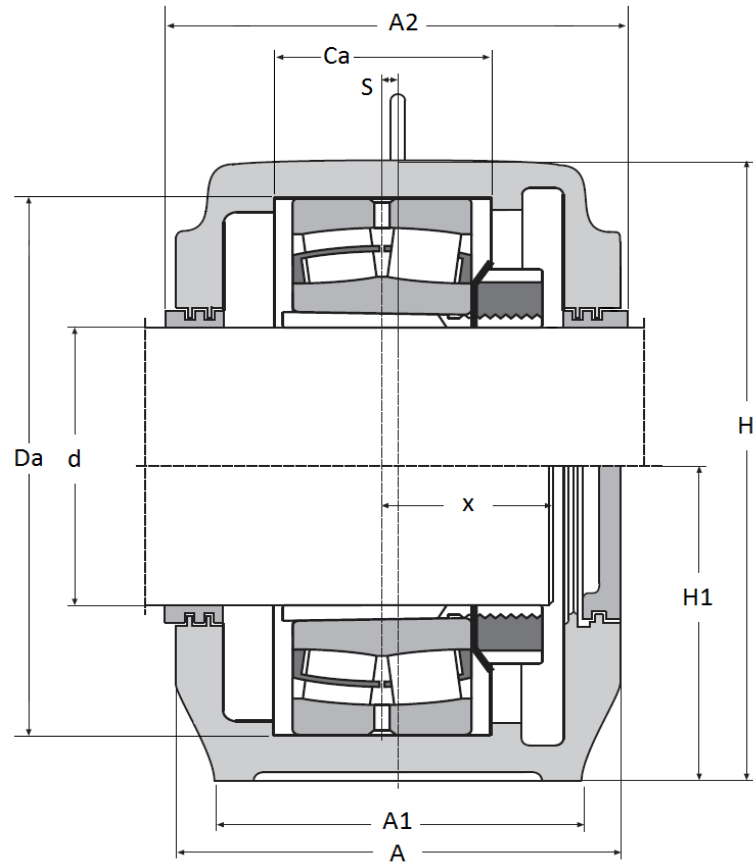




## SD 2200 TS Series - Split Plummer Block Housings (SNL 2200 TS)

for spherical roller bearings on adapter sleeves, labyrinth seal, cast iron GG 20, incl. eye bolt.



Housing No.	Shaft		Dimensions (mm)											Mount. Bolt	Weight (kg)	Labyrinth Seals	Bearing	Adapter Sleeve	Fixing Rings	End cover	Grease Qty First filling			
	d	D <sub>a</sub>	C <sub>a</sub>	A	A <sub>1</sub>	A <sub>2</sub>	H	H <sub>1</sub>	H <sub>2</sub>	L	J	J <sub>1</sub>	x <sub>max</sub>									N	N <sub>1</sub>	S
SD 2232 TS	140	290	115	240	190	250	353	180	75	530	450	110	108	34	28	15	M24	77,5	TS 38-140	22232 K	H 3132	2 x FR 290-17,5	ETS 38	1,5 kg
SD 2234 TS	150	310	122	260	210	270	375	190	80	560	480	120	112	34	28	10	M24	97,5	TS 40-150	22234 K	H 3134	2 x FR 310-18	ETS 40	2,0 kg
SD 2236 TS	160	320	124	260	210	270	375	190	80	560	480	120	112	34	28	10	M24	97,5	TS 38-160	22236 K	H 3136	2 x FR 320-19	ETS 38	1,8 kg
SD 2238 TS	170	340	132	280	230	290	411	210	85	610	510	130	122	42	35	10	M30	123	TS 40-170	22238 K	H 3138	2 x FR 340-10	ETS 40	2,3 kg
SD 2240 TS	180	360	140	290	240	300	434	220	90	640	540	140	128	42	35	12	M30	139	TS 48-180	22240 K	H 3140	2 x FR 360-21	ETS 48	3,0 kg
SD 2244 TS	200	400	148	310	260	315	474	240	95	700	600	150	136	42	35	12	M30	187	TS 48-200	22244 K	H 3144	2 x FR 400-10	ETS 48	3,4 kg
SD 2248 TS	220	440	164	320	280	330	516	260	100	770	650	160	146	50	42	13	M36	221	TS 52-220	22248 K	H 3148	2 x FR 440-22	ETS 52	4,3 kg
SD 2252 TS	240	480	181	350	310	360	591	300	110	830	710	190	170	50	42	22	M36	301	TS 64-240	22252 K	H 3152	2 x FR 480-25,5	ETS 64	7,0 kg
SD 2256 TS	260	500	180	350	310	360	591	300	110	830	710	190	170	50	42	22	M36	301	TS 60-260	22256 K	H 3156	2 x FR 500-25	ETS 60	6,2 kg
SD 2260 TS	280	540	196	370	330	380	631	320	115	880	750	200	181	50	42	23	M36	339	TS 64-280	22260 K	H 3160	2 x FR 540-28	ETS 64	7,7 kg
SD 2264 TS	300	580	210	400	360	410	675	340	120	950	810	220	197	50	42	24	M36	427	TS 68-300	22264 K	H 3164	2 x FR 580-20	ETS 68	9,4 kg

These Housings can also be manufactured of ductile iron or cast steel. Special kevlar or felt seals on request.

"

", (812) 333-00-90, [info@prombearing.ru](mailto:info@prombearing.ru)

[www.prombearing.ru](http://www.prombearing.ru)