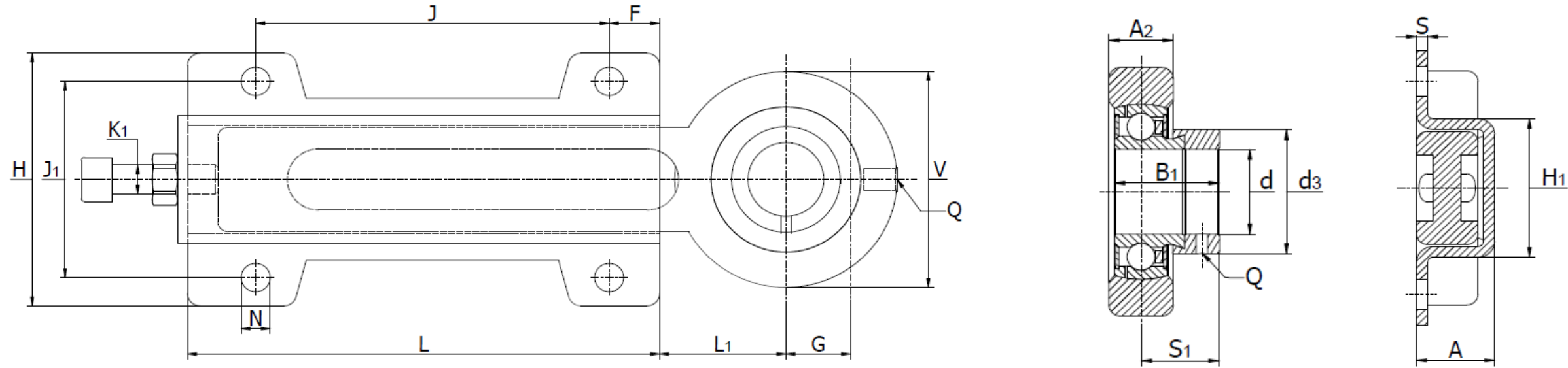




PHUSE - Take-up housing units

cast iron and sheet steel housing, radial insert ball bearing with eccentric locking collar.



Part No.	Dimensions (mm)																			Load rating housing (N)	Dynamic load rating (N)	Static load rating (N)	Insert Bearing	Weight (kg)	Cover
	d	H	A	A ₂	B ₁	d _{3 max}	F	G	H ₁	J	J ₁	K ₁	L	L ₁	N	Q	S	S ₁	V	C _{0r G}	C _r	C _{0r}			
PHUSE 25	25	103	28	22	31,0	37,5	20	65	52	140	80	M12	187	50	11,5	Rp 1/8	4	23,5	78	7800	14000	7800	SA 205	2,07	N/A
PHUSE 30	30	103	28	22	35,8	44,0	20	65	52	140	80	M12	187	50	11,5	Rp 1/8	4	26,7	88	11300	19500	11300	SA 206	2,22	N/A
PHUSE 35	35	103	28	22	39,0	51,0	20	65	52	140	80	M12	187	50	11,5	Rp 1/8	4	29,4	98	15300	25500	15300	SA 207	2,46	N/A
PHUSE 40	40	130	36	30	43,8	58,0	20	80	60	180	100	M16	256	60	14	Rp 1/8	4	32,7	108	19800	32500	19800	SA 208	4,89	KASK08
PHUSE 50	50	130	36	30	43,8	69,0	20	80	60	180	100	M16	256	60	14	Rp 1/8	4	32,7	120	23200	35000	23200	SA 210	5,25	N/A

"

", (812) 333-00-90, info@prombearing.ru
www.prombearing.ru