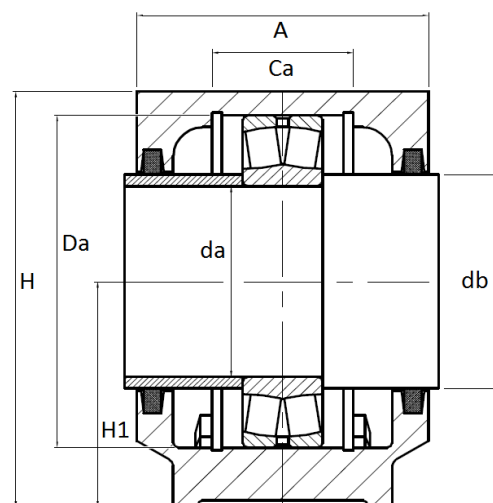




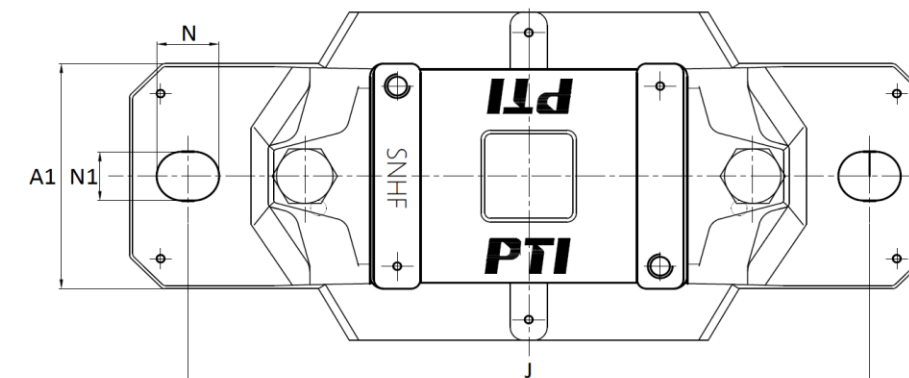
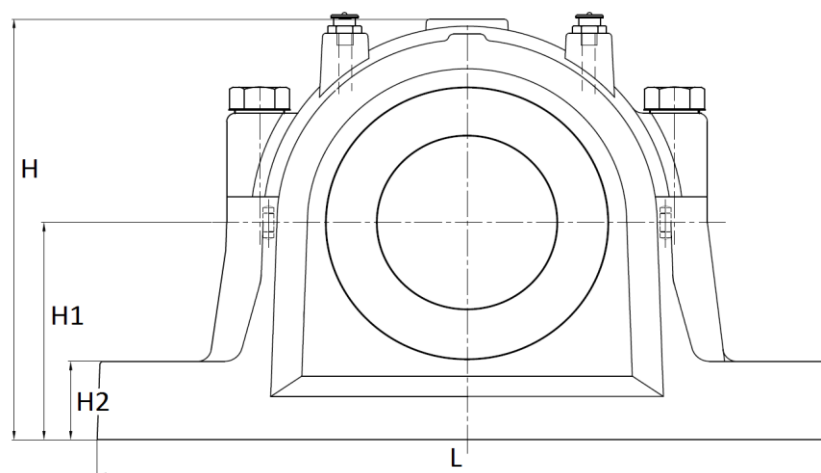
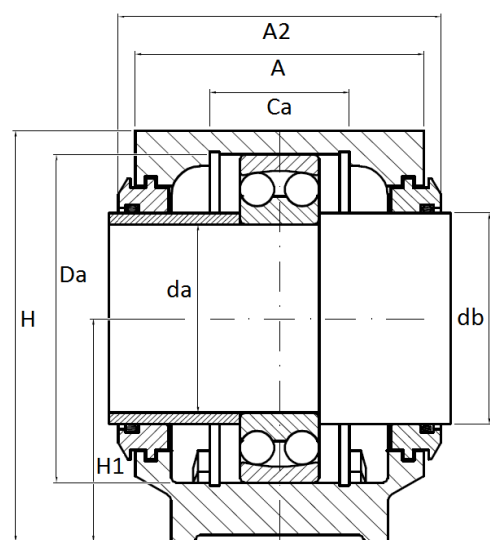
SNHF 300 Series - Plummer block housings (SNH/SNL/SNV)

for spherical ball and roller bearings on a cylindrical shaft, options for different sealing types, cast iron GG 20, Rp 1/8" grease bore thread.

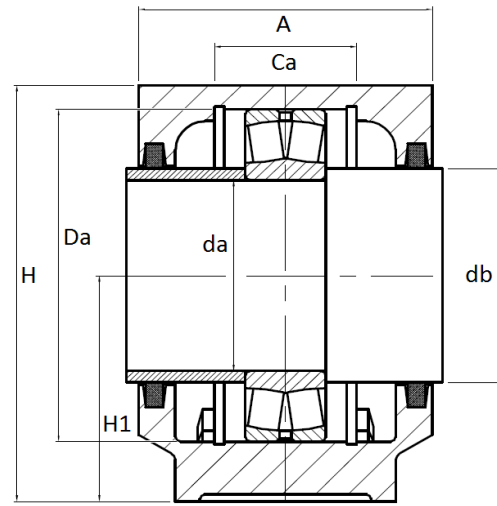
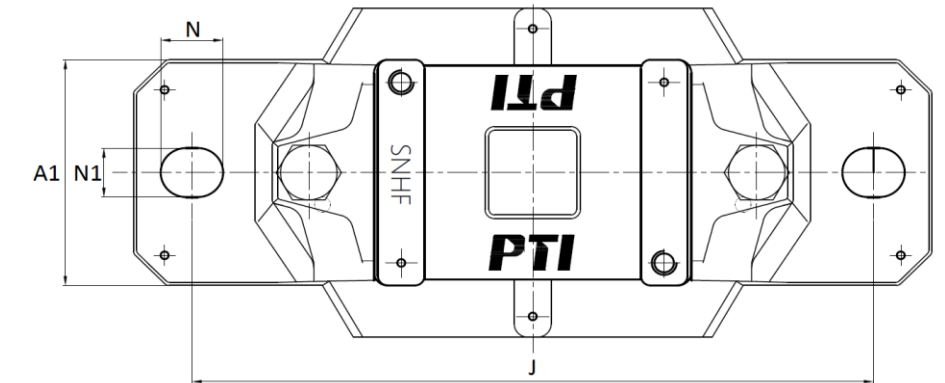
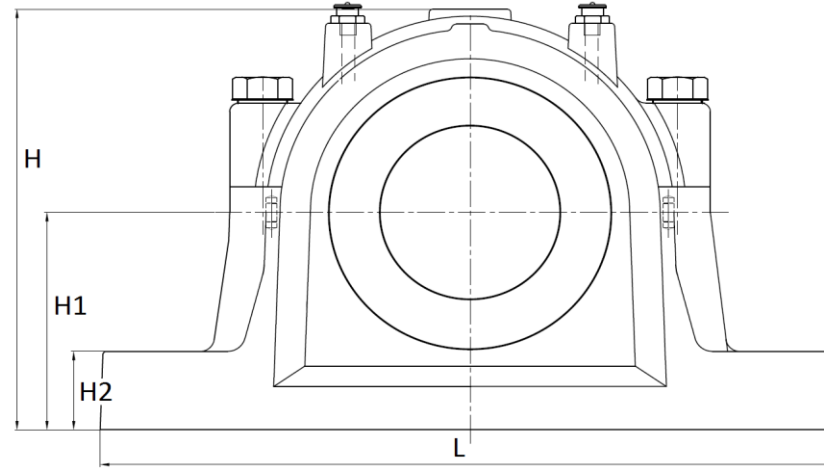
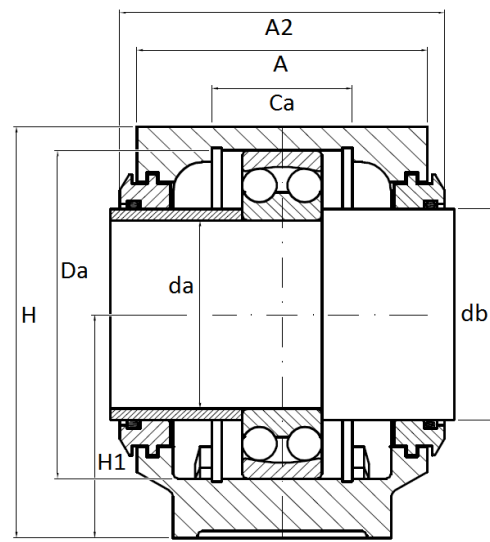
Felt seal, Rubber seal and V-ring seal



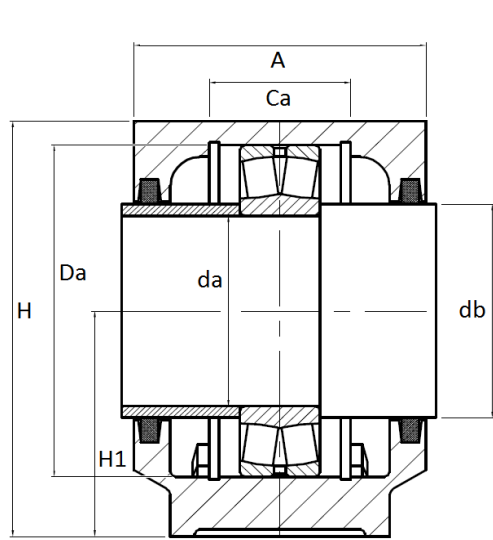
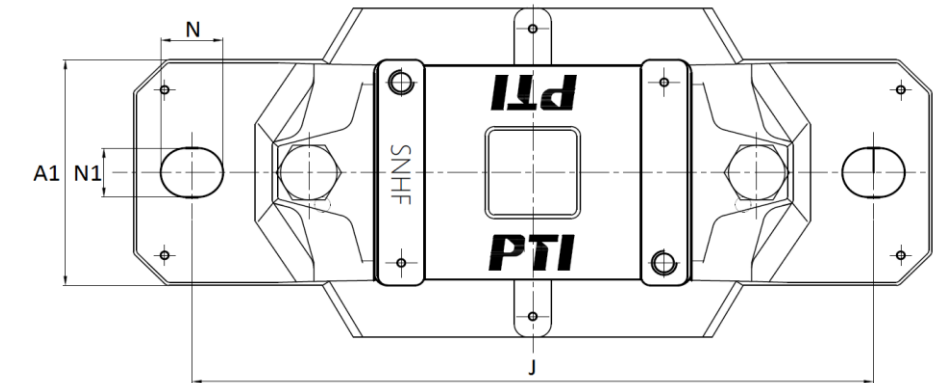
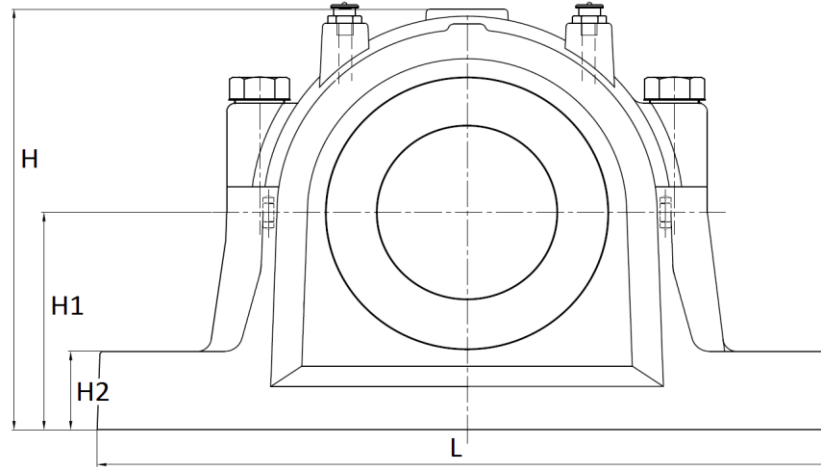
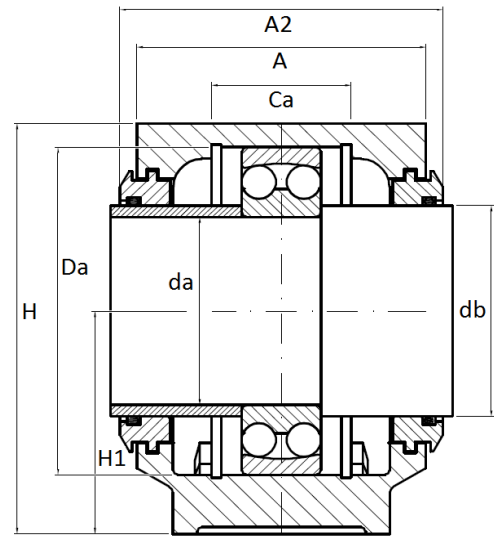
Labyrinth seal



| Part No. | Shaft size (mm) | | Dimensions (mm) | | | | | | | | | | Mounting Bolt | Bearings | Fixing Rings | Housing No. | Double Lip Seals | V-ring Seals | Felt Seals | Labyrinth Seals | End cover | Weight (kg) | | |
|----------|-----------------|----|-----------------|----|-----|----|-----|-----|----|----|-----|-----|---------------|----------|--------------|-------------|------------------|--------------|------------|-----------------|-----------|-------------|-------------|-----|
| | da | db | A | A1 | A2 | Ca | Da | H | H1 | H2 | J | L | | | | | | | | | | | N | N1 |
| SNHF 305 | 25 | 35 | 77 | 52 | 89 | 32 | 62 | 89 | 50 | 22 | 150 | 185 | 20 | 15 | M12 | 1305 | 2 x FR 62-7.5 | SNHF 206 | TSN305G | TSN305A | TSN305C | TS05-305 | ASNH507-606 | 1,9 |
| | | | | | | | | | | | | | | | | 2305 | 2 x FR 62-4 | | | | | | | |
| | | | | | | | | | | | | | | | | 21305 | 2 x FR 62-7.5 | | | | | | | |
| SNHF 306 | 30 | 40 | 82 | 52 | 94 | 34 | 72 | 93 | 50 | 22 | 150 | 185 | 20 | 15 | M12 | 1306 | 2 x FR 72-7.5 | SNHF 507-606 | TSN306G | TSN306A | TSN306C | TS 06-306 | ASNH507-606 | 2,2 |
| | | | | | | | | | | | | | | | | 2306 | 2 x FR 72-3.5 | | | | | | | |
| | | | | | | | | | | | | | | | | 22206 | 2 x FR 72-7.5 | | | | | | | |
| SNHF 307 | 35 | 45 | 85 | 60 | 99 | 39 | 80 | 107 | 60 | 25 | 170 | 205 | 20 | 15 | M12 | 1307 | 2 x FR 80-9 | SNHF 208 | TSN307G | TSN307A | TSN307C | TS07-307 | ASNH510-608 | 2,9 |
| | | | | | | | | | | | | | | | | 2307 | 2 x FR 80-4 | | | | | | | |
| | | | | | | | | | | | | | | | | 21307 | 2 x FR 80-9 | | | | | | | |
| SNHF 308 | 40 | 50 | 90 | 60 | 102 | 41 | 90 | 113 | 60 | 25 | 170 | 205 | 20 | 15 | M12 | 1308 | 2 x FR 90-9 | SNHF 510-608 | TSN308G | TSN308A | TSN308C | TS08-308 | ASNH510-608 | 3,2 |
| | | | | | | | | | | | | | | | | 2308 | 2 x FR 90-4 | | | | | | | |
| | | | | | | | | | | | | | | | | 21308 | 2 x FR 90-9 | | | | | | | |
| | | | | | | | | | | | | | | | | 22308 | 2 x FR 90-4 | | | | | | | |
| SNHF 309 | 45 | 55 | 95 | 70 | 107 | 44 | 100 | 127 | 70 | 28 | 210 | 255 | 24 | 18 | M16 | 1309 | 2 x FR 100-9.5 | SNHF 511-609 | TSN309G | TSN309A | TSN309C | TS09-309 | ASNH511-609 | 4,4 |
| | | | | | | | | | | | | | | | | 2309 | 2 x FR 100-4 | | | | | | | |
| | | | | | | | | | | | | | | | | 21309 | 2 x FR 100-9.5 | | | | | | | |
| | | | | | | | | | | | | | | | | 22309 | 2 x FR 100-4 | | | | | | | |
| SNHF 310 | 50 | 60 | 105 | 70 | 117 | 48 | 110 | 133 | 70 | 30 | 210 | 255 | 24 | 18 | M16 | 1310 | 2 x FR 110-10.5 | SNHF 512-610 | TSN310G | TSN310A | TSN310C | TS10-310 | ASNH512-610 | 5,1 |
| | | | | | | | | | | | | | | | | 2310 | 2 x FR 110-4 | | | | | | | |
| | | | | | | | | | | | | | | | | 21310 | 2 x FR 110-10.5 | | | | | | | |
| | | | | | | | | | | | | | | | | 22310 | 2 x FR 110-4 | | | | | | | |

Felt seal, Rubber seal and V-ring seal

Labyrinth seal


| Part No. | Shaft size (mm) | | Dimensions (mm) | | | | | | | | | | Mounting Bolt | Bearings | Fixing Rings | Housing No. | Double Lip Seals | V-ring Seals | Felt Seals | Labyrinth Seals | End cover | Weight (kg) | | |
|----------|-----------------|----|-----------------|-----|-----|----|-----|-----|-----|----|-----|-----|---------------|----------|--------------|-------------|------------------|--------------|------------|-----------------|-----------|-------------|-------------|------|
| | da | db | A | A1 | A2 | Ca | Da | H | H1 | H2 | J | L | | | | | | | | | | | N | N1 |
| SNHF 311 | 55 | 65 | 110 | 80 | 122 | 51 | 120 | 148 | 80 | 30 | 230 | 275 | 24 | 18 | M16 | 1311 | 2 x FR 120-11 | SNHF 513-611 | TSN311G | TSN311A | TSN311C | TS11-311 | ASNH513-611 | 6,5 |
| | | | | | | | | | | | | | | | | 2311 | 2 x FR 120-4 | | | | | | | |
| | | | | | | | | | | | | | | | | 21311 | 2 x FR 120-11 | | | | | | | |
| | | | | | | | | | | | | | | | | 22311 | 2 x FR 120-4 | | | | | | | |
| SNHF 312 | 60 | 70 | 115 | 80 | 127 | 56 | 130 | 154 | 80 | 30 | 230 | 280 | 24 | 18 | M16 | 1312 | 2 x FR 130-12.5 | SNHF 515-612 | TSN312G | TSN312A | TSN312C | TS12-312 | ASNH515-612 | 7 |
| | | | | | | | | | | | | | | | | 2312 | 2 x FR 130-5 | | | | | | | |
| | | | | | | | | | | | | | | | | 21312 | 2 x FR 130-12.5 | | | | | | | |
| | | | | | | | | | | | | | | | | 22312 | 2 x FR 130-5 | | | | | | | |
| SNHF 313 | 65 | 75 | 120 | 90 | 138 | 58 | 140 | 175 | 95 | 32 | 260 | 315 | 28 | 22 | M20 | 1313 | 2 x FR 140-12.5 | SNHF 516-613 | TSN313G | TSN313A | TSN313C | TS13-313 | ASNH516-613 | 9,5 |
| | | | | | | | | | | | | | | | | 2313 | 2 x FR 140-5 | | | | | | | |
| | | | | | | | | | | | | | | | | 21313 | 2 x FR 140-12.5 | | | | | | | |
| | | | | | | | | | | | | | | | | 22313 | 2 x FR 140-5 | | | | | | | |
| SNHF 314 | 70 | 80 | 125 | 90 | 143 | 61 | 150 | 183 | 95 | 32 | 260 | 320 | 28 | 20 | M20 | 1314 | 2 x FR 150-13 | SNHF 517 | TSN314G | TSN314A | TSN314C | TS14-314 | ASNH517 | 10 |
| | | | | | | | | | | | | | | | | 2314 | 2 x FR 150-5 | | | | | | | |
| | | | | | | | | | | | | | | | | 21314 | 2 x FR 150-13 | | | | | | | |
| | | | | | | | | | | | | | | | | 22314 | 2 x FR 150-5 | | | | | | | |
| SNHF 315 | 75 | 85 | 140 | 100 | 158 | 65 | 160 | 193 | 100 | 35 | 290 | 345 | 28 | 22 | M20 | 1315 | 2 x FR 14/160 | SNHF 518-615 | TSN315G | TSN315A | TSN315C | TS15-315 | ASNH518-615 | 12,5 |
| | | | | | | | | | | | | | | | | 2315 | 2 x FR 160-5 | | | | | | | |
| | | | | | | | | | | | | | | | | 21315 | 2 x FR 160-14 | | | | | | | |
| | | | | | | | | | | | | | | | | 22315 | 2 x FR 160-5 | | | | | | | |

Felt seal, Rubber seal and V-ring seal

Labyrinth seal


| Part No. | Shaft size (mm) | | Dimensions (mm) | | | | | | | | | | Mounting Bolt | Bearings | Fixing Rings | Housing No. | Double Lip Seals | V-ring Seals | Felt Seals | Labyrinth Seals | End cover | Weight (kg) | | |
|----------|-----------------|-----|-----------------|-----|-----|----|-----|-----|-----|----|-----|-----|---------------|----------|--------------|-------------|------------------|--------------|------------|-----------------|-----------|-------------|-------------|------|
| | da | db | A | A1 | A2 | Ca | Da | H | H1 | H2 | J | L | | | | | | | | | | | N | N1 |
| SNHF 316 | 80 | 90 | 145 | 100 | 163 | 68 | 170 | 210 | 112 | 35 | 290 | 345 | 28 | 22 | M20 | 1316 | 2 x FR 170-14.5 | SNHF 519-616 | TSN316G | TSN316A | TSN316 C | TS16-316 | ASNH519-616 | 13,7 |
| | | | | | | | | | | | | | | | | 2316 | 2 x FR 170-5 | | | | | | | |
| | | | | | | | | | | | | | | | | 21316 | 2 x FR 170-14.5 | | | | | | | |
| | | | | | | | | | | | | | | | | 22316 | 2 x FR 170-5 | | | | | | | |
| SNHF 317 | 85 | 95 | 160 | 110 | 178 | 70 | 180 | 215 | 112 | 40 | 320 | 380 | 32 | 26 | M24 | 1317 | 2 x FR 180-14.5 | SNHF 520-617 | TSN317G | TSN317A | TSN317C | TS17-317 | ASNH520-617 | 17,6 |
| | | | | | | | | | | | | | | | | 2317 | 2 x FR 180-5 | | | | | | | |
| | | | | | | | | | | | | | | | | 21317 | 2 x FR 180-14.5 | | | | | | | |
| | | | | | | | | | | | | | | | | 22317 | 2 x FR 180-5 | | | | | | | |
| SNHF 319 | 95 | 110 | 175 | 120 | 191 | 80 | 200 | 239 | 125 | 45 | 350 | 410 | 32 | 26 | M24 | 1319 | 2 x FR 200-17.5 | SNHF 522-619 | TSN319G | TSN319A | TSN319C | TS19-319 | ASNH522-619 | 22 |
| | | | | | | | | | | | | | | | | 2319 | 2 x FR 200-6.5 | | | | | | | |
| | | | | | | | | | | | | | | | | 21319 | 2 x FR 200-17.5 | | | | | | | |
| | | | | | | | | | | | | | | | | 22319 | 2 x FR 200-6.5 | | | | | | | |
| SNHF 320 | 100 | 115 | 185 | 120 | 199 | 86 | 215 | 271 | 140 | 45 | 350 | 410 | 32 | 26 | M24 | 1320 | 2 x FR 215-19.5 | SNHF 524-620 | TSN320G | TSN220A | TSN220C | TS20-320 | ASNH524-620 | 26,2 |
| | | | | | | | | | | | | | | | | 2320 | 2 x FR 215-6.5 | | | | | | | |
| | | | | | | | | | | | | | | | | 21320 | 2 x FR 215-19.5 | | | | | | | |
| | | | | | | | | | | | | | | | | 22320 | 2 x FR 215-6.5 | | | | | | | |